



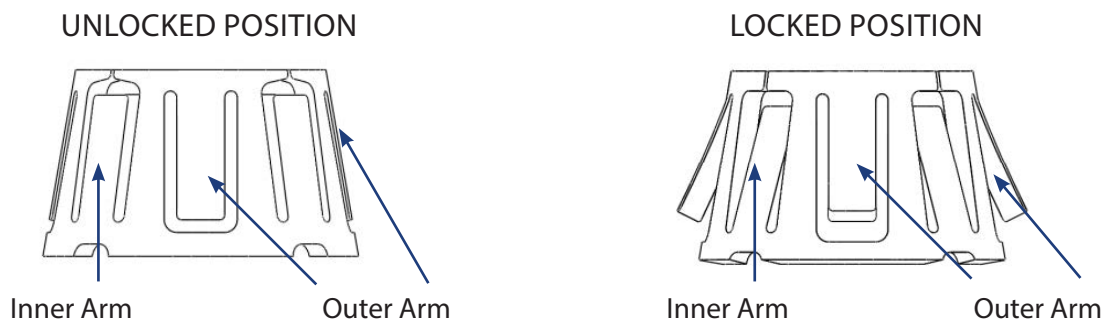
Smileloc[®] Arm Setter & Pin

Directions for Use

Smileloc[®] Arm Setter & Pin

Directions for Use

The Smileloc[®] Arm Setter and Pin are used to set the 8 arms of an unlocked Lab Sleeve back to their locked position. The Lab Sleeve has 4 inner arms and 4 outer arms. Follow the steps below to return the Lab Sleeve to the locked position.



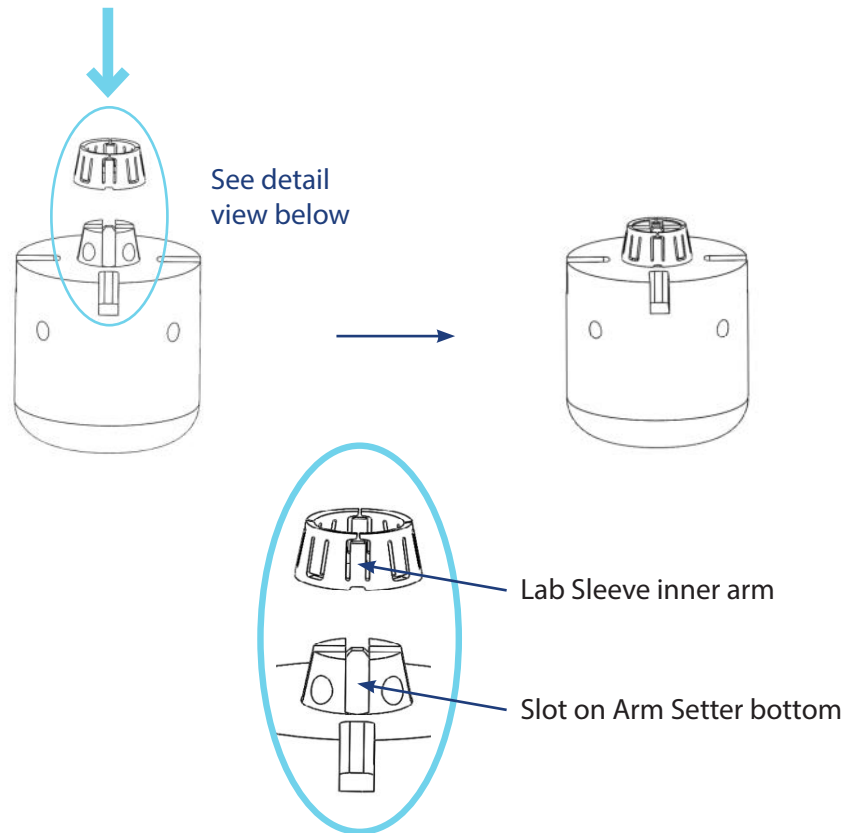
STEP 1

Set one inner arm of the Lab Sleeve using the Pin. Place the Pin on an inner arm and push gently inward, until the arm is visible on the inside of the Lab Sleeve from a top-down view.



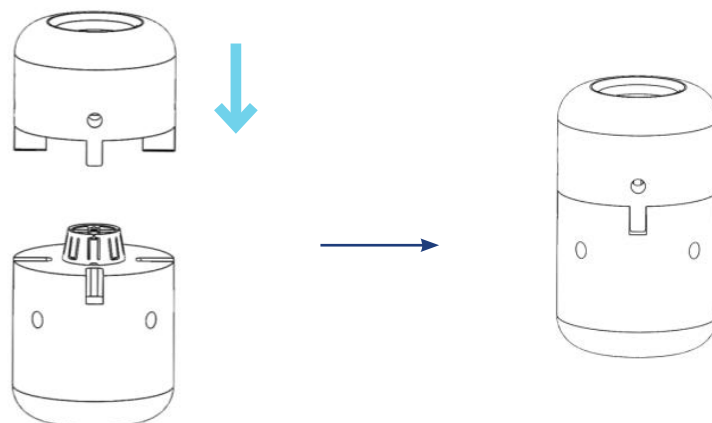
STEP 2

Remove the top of the Arm Setter and align the Lab Sleeve inner arms with the slots on the bottom of the Arm Setter. Seat the Lab Sleeve onto the Arm Setter bottom, ensuring a secure alignment with the slots.



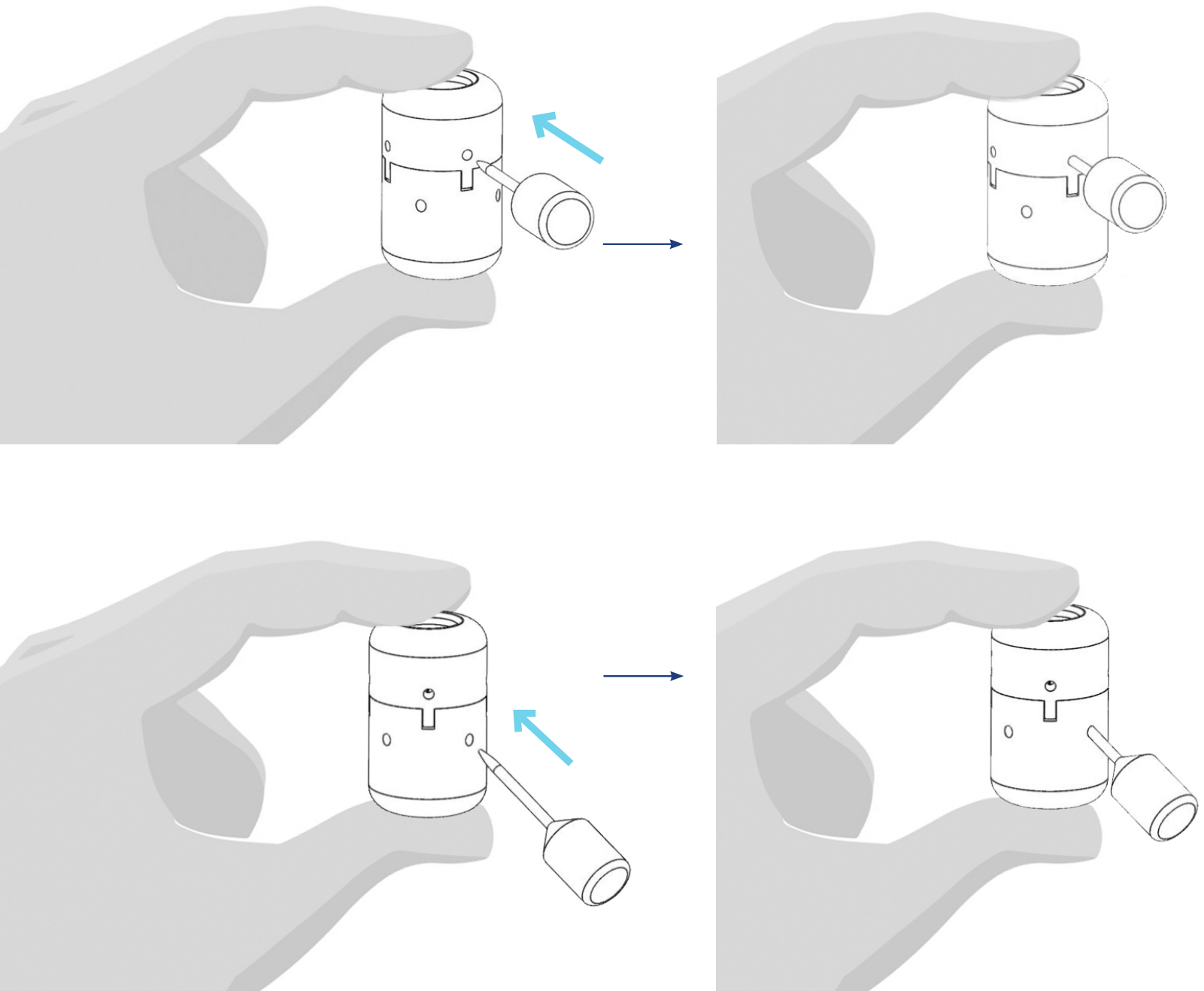
STEP 3

Place the Arm Setter top over the Arm Setter bottom. Ensure that the seal is complete with no resistance or gaps.



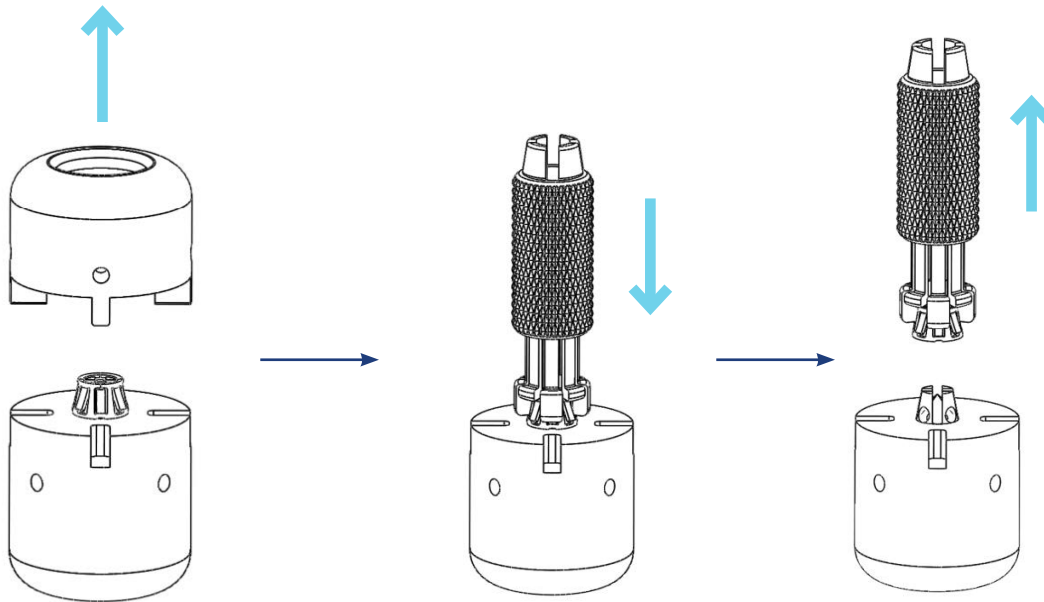
STEP 4

Using thumb and index finger, hold the top and bottom of the Arm Setter closed. Insert the Pin, pushing straight, into each of the 4 holes on the top of the Arm Setter to set the 4 inner arms of the Lab Sleeve. Insert the Pin, pushing up at a 45° angle, into each of the 4 holes on the bottom of the Arm Setter to set the 4 outer arms of the Lab Sleeve.



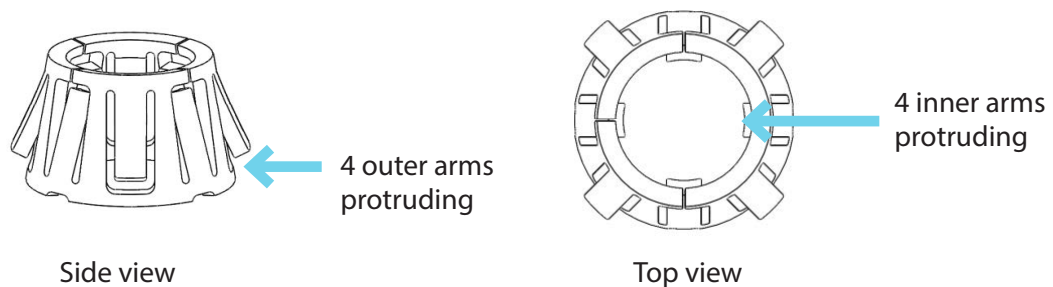
STEP 5

Open the Arm Setter by removing the top. Place the bottom of the Smileloc[®] Seater onto the Lab Sleeve and push down to connect. Pull the Smileloc Seater up and off of the Arm Setter to remove the Lab Sleeve.



STEP 6

Confirm visually that the 4 inner and 4 outer arms of the Lab Sleeve have been set. The outer arms should protrude away from the Lab Sleeve and the inner arms should be visible on the inside of the Lab Sleeve from a top-down view.





2635 N. First St. Suite 218
San Jose, CA 95134

Phone: 408-245-RODO (7636)
www.rodomedical.com



Smileloc[®] Arm Setter & Pin

Directions for Use